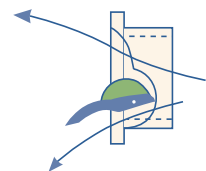


Model 1800-VFG



Capacity in m³/hour at static pressure of:

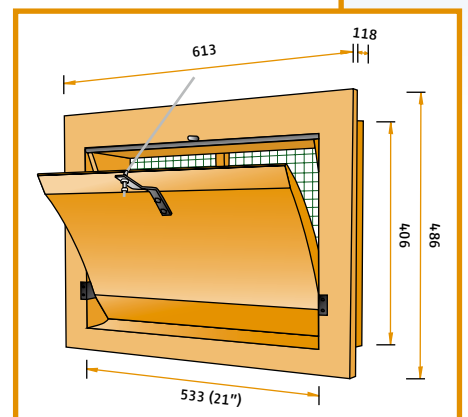
MODEL	10Pa	20Pa	40Pa
1800-VFG	1800	2700	3600




Model 1800-VFG

This air inlet valve, also produced out of high quality polyurethane foam, is executed with a curved flap and with the flange on the front side. Concept is equal to our standard inlet 145-VFG. The sizes of the inlet, being less wide but higher assure a good control of the minimum ventilation, yet also offering a relative high air capacity at fully open position.

Inlet is available with control arms on both sides of the inlet as well as with a central control bracket. The build-in size of the inlet (533 mm = 21") is specially made for those cases, where less width is available. Further characteristics are similar to the inlets 145, 3000 and 4000-VFG.



 Member of SP Group A/S